



REFRIGERATION

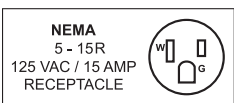
SERVING THE FOOD INDUSTRY SINCE 1951

98L COUNTERTOP DISPLAY FREEZER

Item: 47239 | Model: FR-CN-0098NB



WARRANTY
PARTS AND LABOR



Authorized Dealer

REFRIGERATION

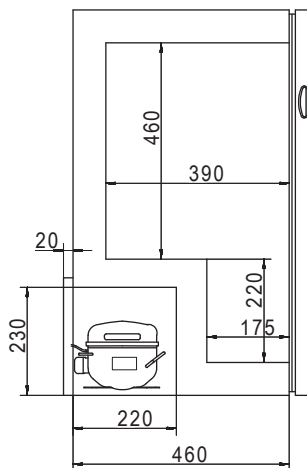
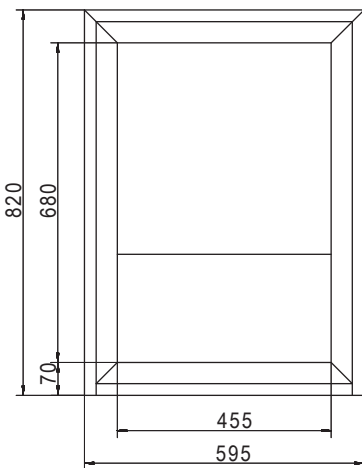
COUNTERTOP DISPLAY FREEZER



TECHNICAL SPECIFICATION

| | |
|----------------------------|---|
| Item | 47239 |
| Model | FR-CN-0098-NB |
| Capacity | 98L / 3.5 cu.ft. |
| Temperature Range | -18 to -20°C |
| Refrigerant | R290A |
| Max. Ambient Temperature | 32°C |
| Defrosting | Manual |
| Temperature Controller | Digital Controller |
| Power | 158W |
| Power Consumption | 3.3 kW / 24h |
| Electrical | 110V / 60Hz |
| QTY of Shelves | 3 |
| Shelf Material | Metal |
| Shelf Capacity | 33 lbs. 15 kgs |
| Shelf Dimensions (Big x 2) | 17.4" x 14.9" 442 x 380 mm |
| Shelf Dimensions (Small) | 17.8" x 6.7" 453 x 170 mm |
| Interior Dimensions (WDH) | 17.9" x 15" x 26.8" 455 x 390 x 680 mm |
| Dimensions (WDH) | 23" x 20" x 34" 595 x 510 x 859 mm |
| Gross Dimensions | 27" x 23" x 36" 681 x 591 x 916 mm |
| Net Weight | 110 lbs. 50 kgs |
| Gross Weight | 119 lbs 54 kgs |

ITEM: 47239



OMCAN INC.

Telephone: 1-800-465-0234
 Fax: (905) 607-0234
 Email: sales@omcan.com
 Website: www.omcan.com



Follow us to keep up to date with the latest news and offers



2019E&OE